

Automatic Sanitizer

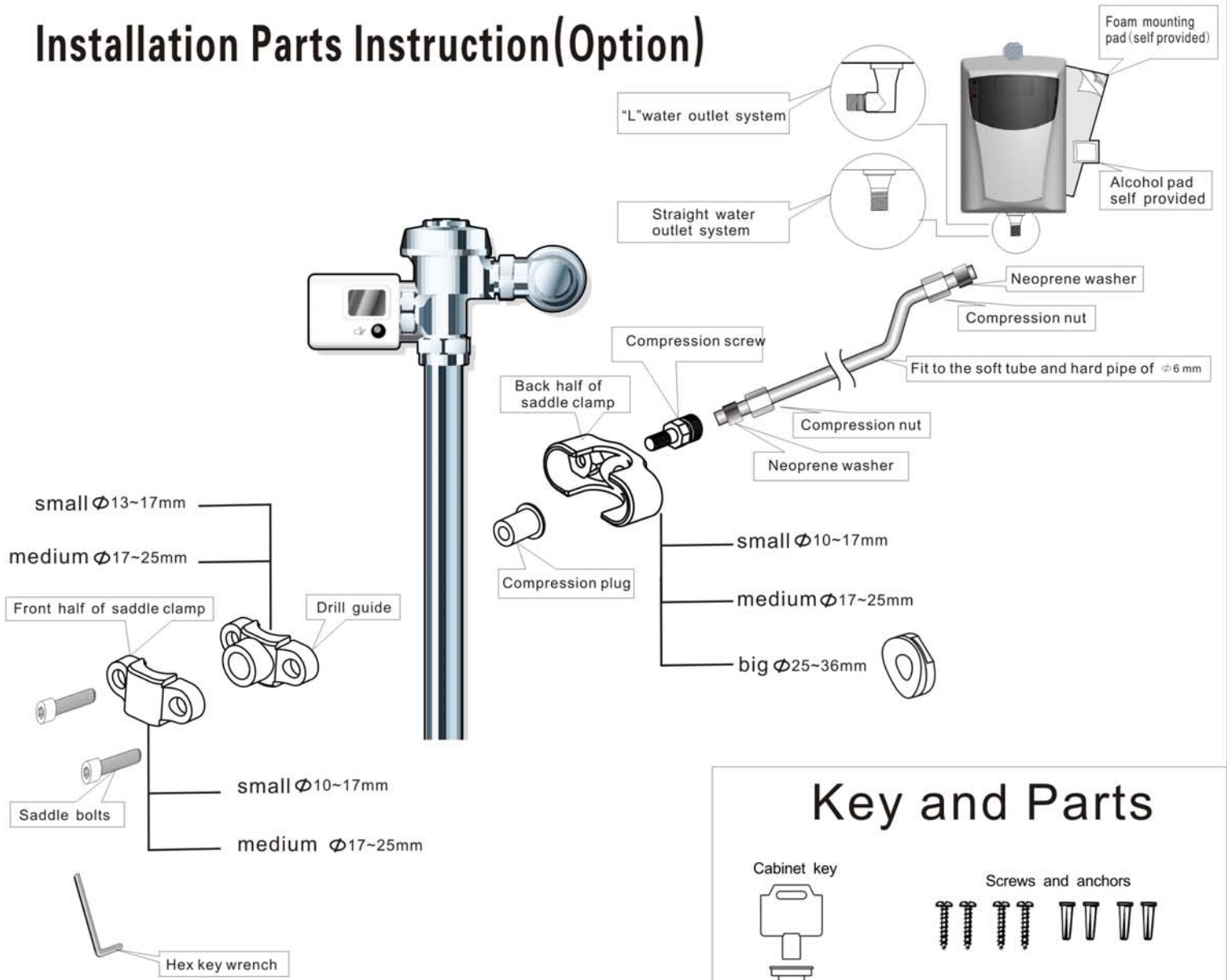
Aromatic/Disinfection/Cleaning

Automatic Sanitizer

Top or side Mount installation



Installation Parts Instruction (Option)



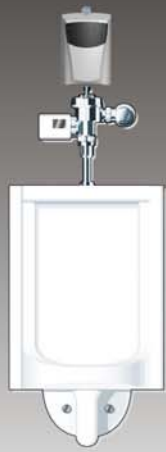
Key and Parts

Cabinet key



Screws and anchors





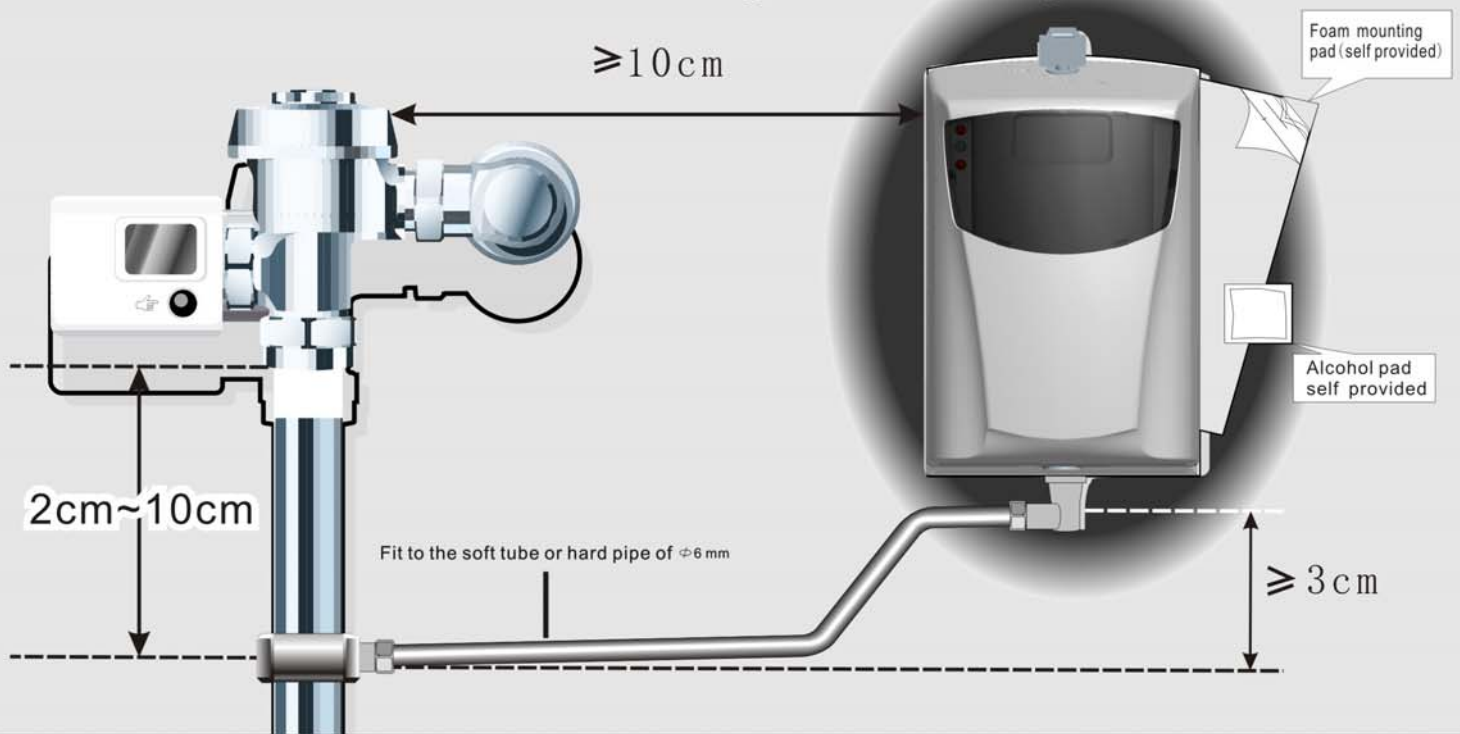
Top Mount



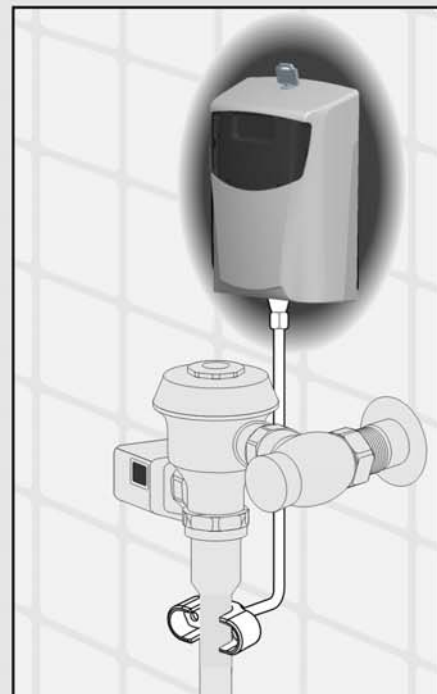
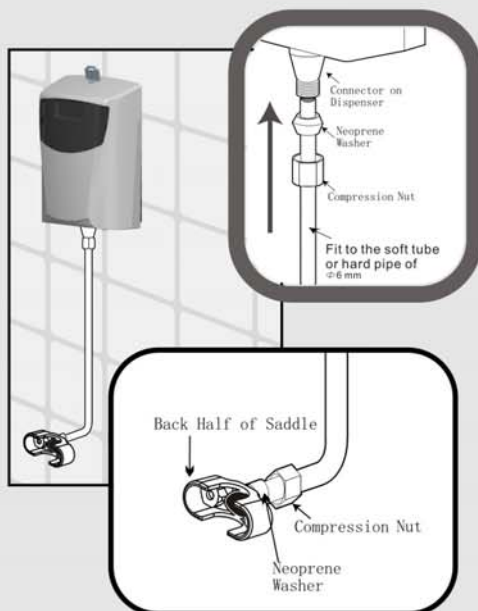
Side Mount



STEP#1. A Position the Wingclean Dispenser

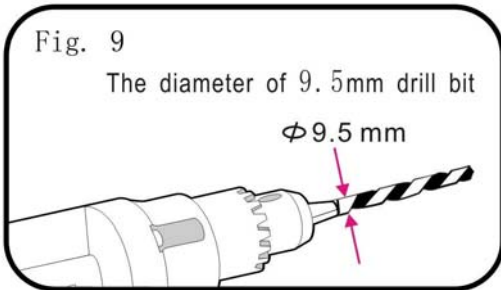
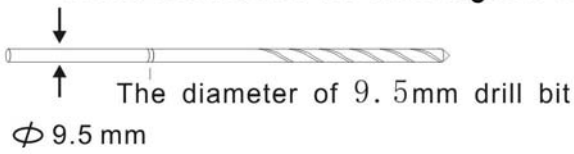


STEP#1. B

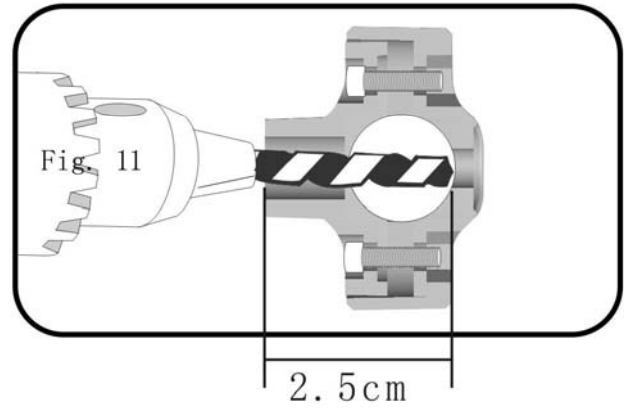


STEP#2

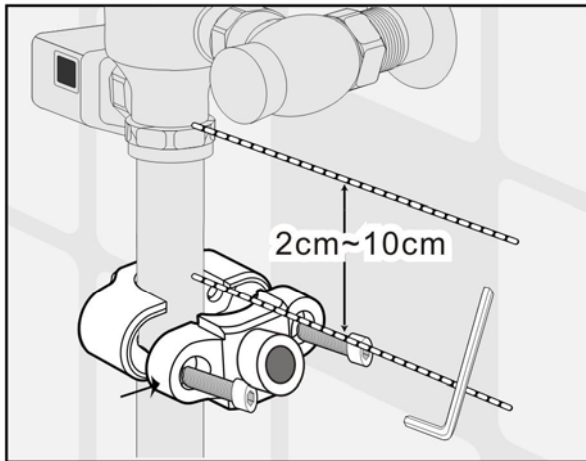
Insert drill bit into the drill bit guide on the saddle and drill thru both sides of the sparge pipe



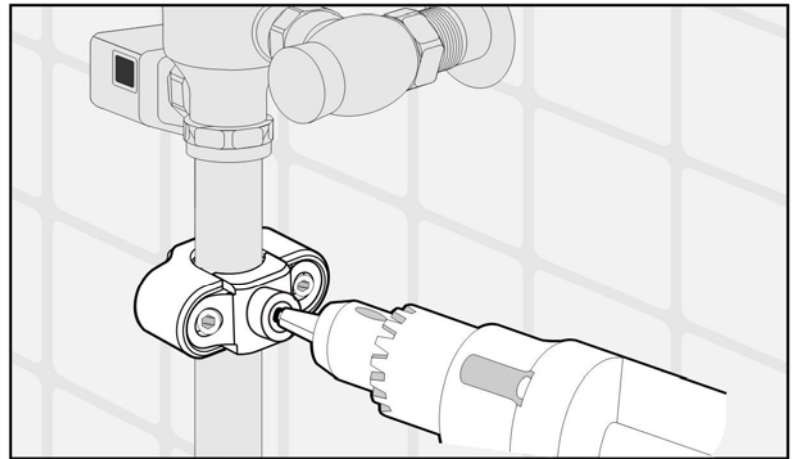
Clean out the drilled pathway by repeating the drill motion back and forth a few times use the drill bit supplied in the kit for one installation only



Drill thru both sides $\leq 2.5 \text{ cm}$

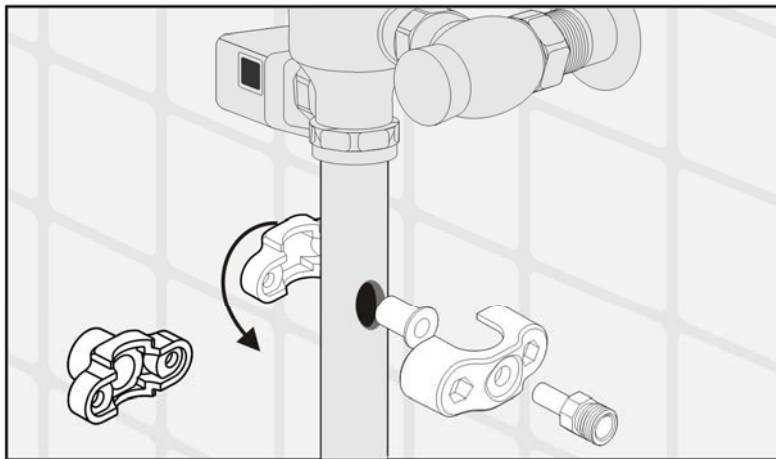


Drilling position of drill bit is in the button of flushing dispenser with 2cm



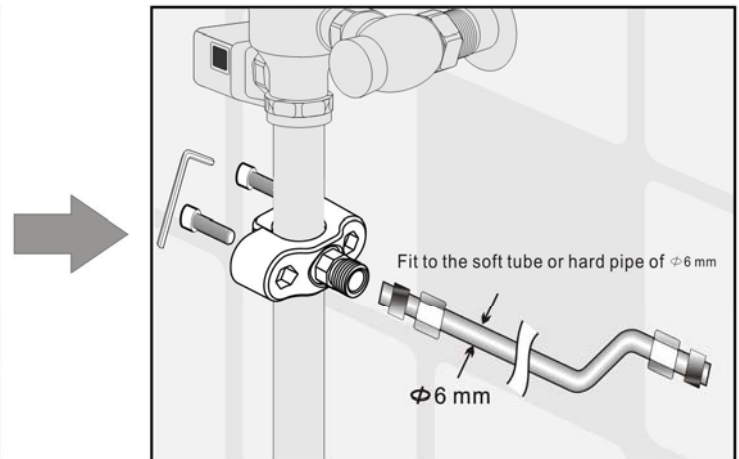
Drilling depth of $\phi 9.5 \text{ mm}$ drill bit can not above of 2.5cm

STEP#3 Remove the drill bit guide from the saddle Connection



Remove drill guide change front half of saddle and or to fit the water pipe install the pingiseal where the drill big guide was removed and firmly tighten with the hex key wrench.

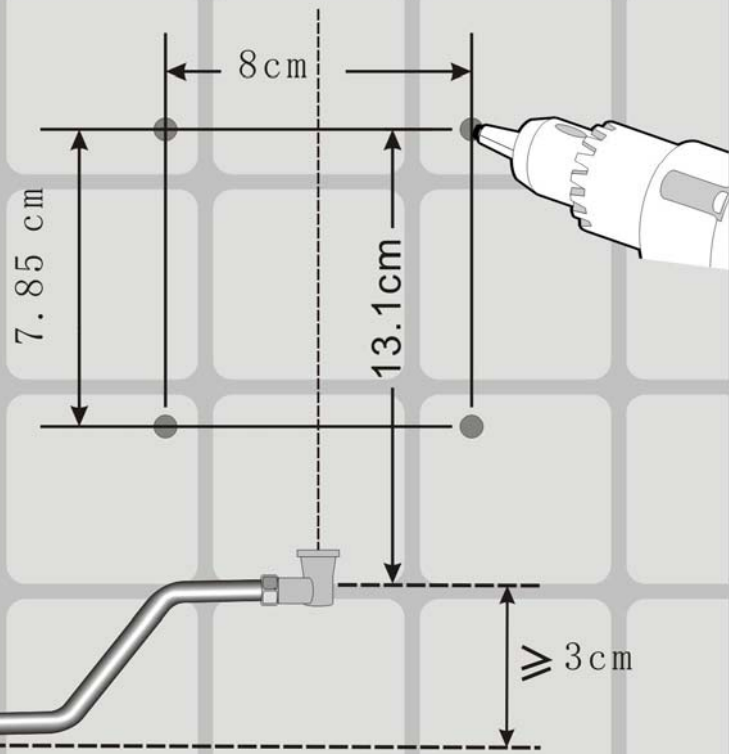
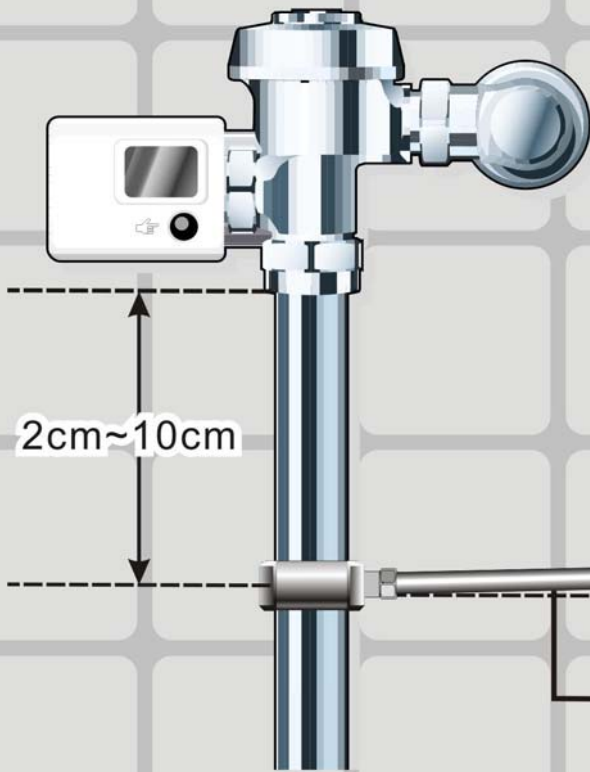
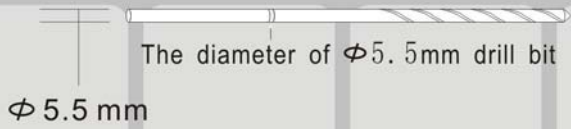
The put the compression plug into water pipe, rotate back half of saddle 180 degree in order to fit the water pipe.



STEP#4

Position Sanitizer dispenser

Advice to use diameter of $\phi 5.5$ mm drill bit in wall



Fit to the soft tube or hard pipe of $\phi 6$ mm

